

Line Timber

SF-Line BK-10

Jambless counterframes, functionality and elegance, all in the same setting



Boxkel by saheco | saheco.com

BOXKEL
by Saheco

Project: NATA - Studio: Rolig Design
Design: Kyiv UA





Line Timber

A new **concept**,
a new **perspective**

Filomuro doors, flushed to the wall doors, built-in doors...they go by many different names, but principally as invisible doors. As they are frameless and fit and align perfectly with the surface of the wall, they create incredible visual continuity that allows them to go completely unnoticed; with only a single element standing out: the handle.

Line Timber offers a solution that allows for the installation of hinged doors flush with the wall. With an elegant aesthetic and clean lines, it creates visually uncluttered spaces with state-of-the-art technology.

SF-Line BK-10

Pull or push? Right or Left?

With SF-Line BK-10 you can decide at the very last minute: a reversible counter frame with all opening options that does not require any additional accessories.*

Quality and functional aesthetics

Good aesthetics mean nothing if not accompanied by functionality. That is why we have paid special attention to the structural characteristics of SF-Line BK-10

Blend in or stand out?

Invisible doors, the name says it all, but they can also be another decorative element. Doors that sit flush with the wall allow us to play with painted, lacquered and even custom decorations, so the choice is in our hands: blend in by painting it in the same tone as the wall or let our imaginations run wild.

*For reversible option standard height 2100mm without lintel.





Index

General features 06

Opening variants 12

Installation possibilities

With lintel

- Sections 14
- Measures 16

Without lintel

- Sections 18
- Measures 20

Without crossbeam (up to ceiling)

- Sections 22
- Measures 24

¿How do I order a BK-10? 26

Terms of sale 28



Features

REVERSIBLE SYSTEM

The frame of our SF-Line BK-10, in its standard height of 2100mm, is sible in all four directions of opening.

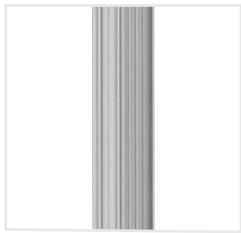


Anchor bracket for masonry.

Anchor bracket for plasterboard.



Aluminium frame with textured white primer to ensure paint adhesion.



Design of the frame profile to prevent the formation of cracks.

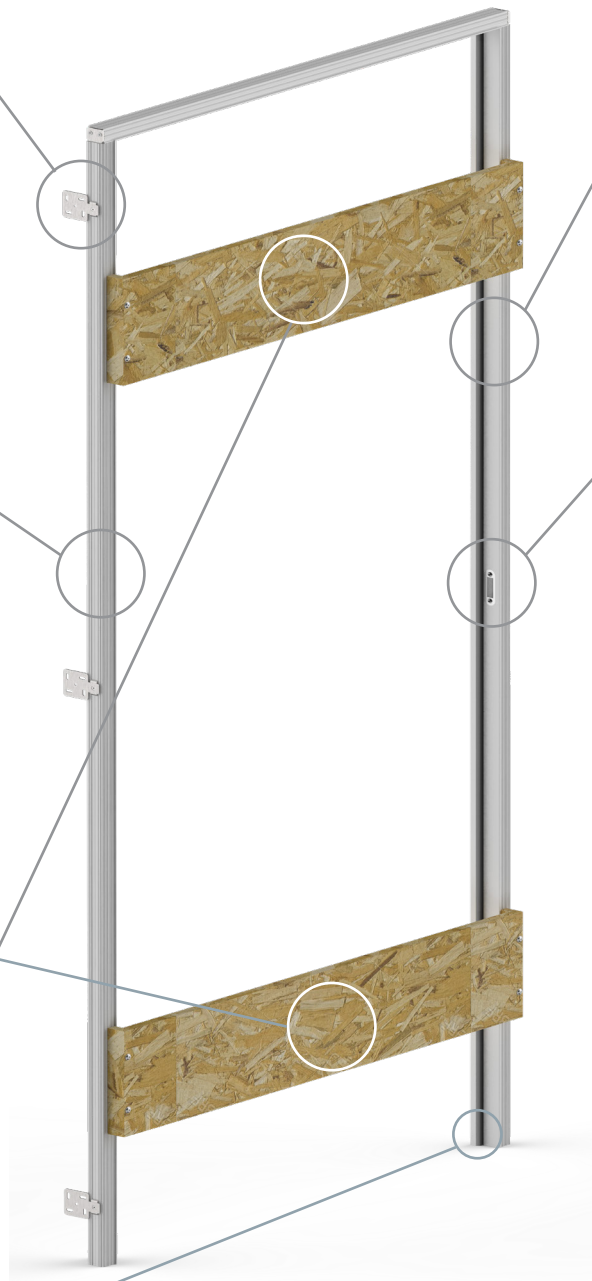


Magnetic control. Flush-wall door fitted for the installation of a magnetic closure catch. Easy installation thanks to its instantaneous and shockresistant unlocking.

Finishes

- Silver
- White
- Black

Two pre-assembled spacer
(only for assembled format) panels to ensure the stability and perfect squaring of the frame.



Door seal gasket included



Hinges included
More information on pages 27

Finishes

- Silver
- White
- Black

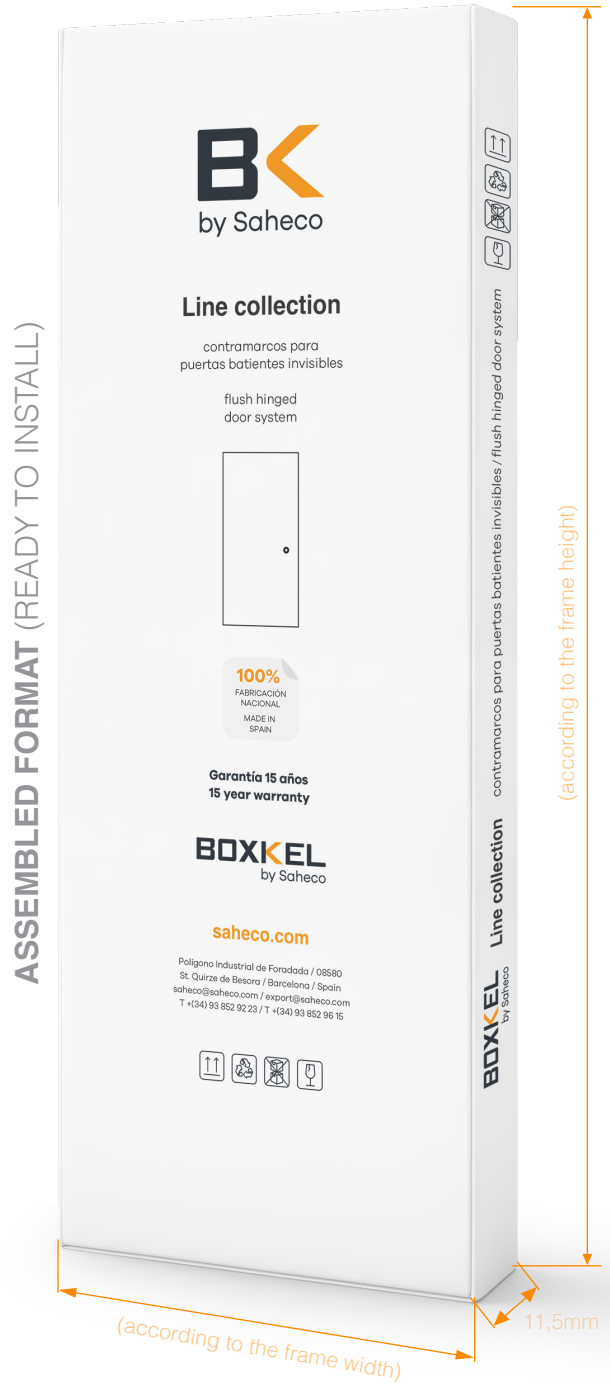
Selling format options



Versatility and stock optimization, in addition to warehouse space savings.

Transport cost optimization: savings based on volume.

Reduction of transportation incidents due to better handling.



INVISIBLE HINGES



New finish

- Black



REGULATIONS

pressure $\pm 1\text{mm}$
vertical $\pm 2\text{mm}$
horizontal $\pm 1.5\text{mm}$



MATERIAL

zamack



CAPACITY

60 kg with 3 hinges
80 kg with 4 hinges
100 kg with 5 hinges



TYPE

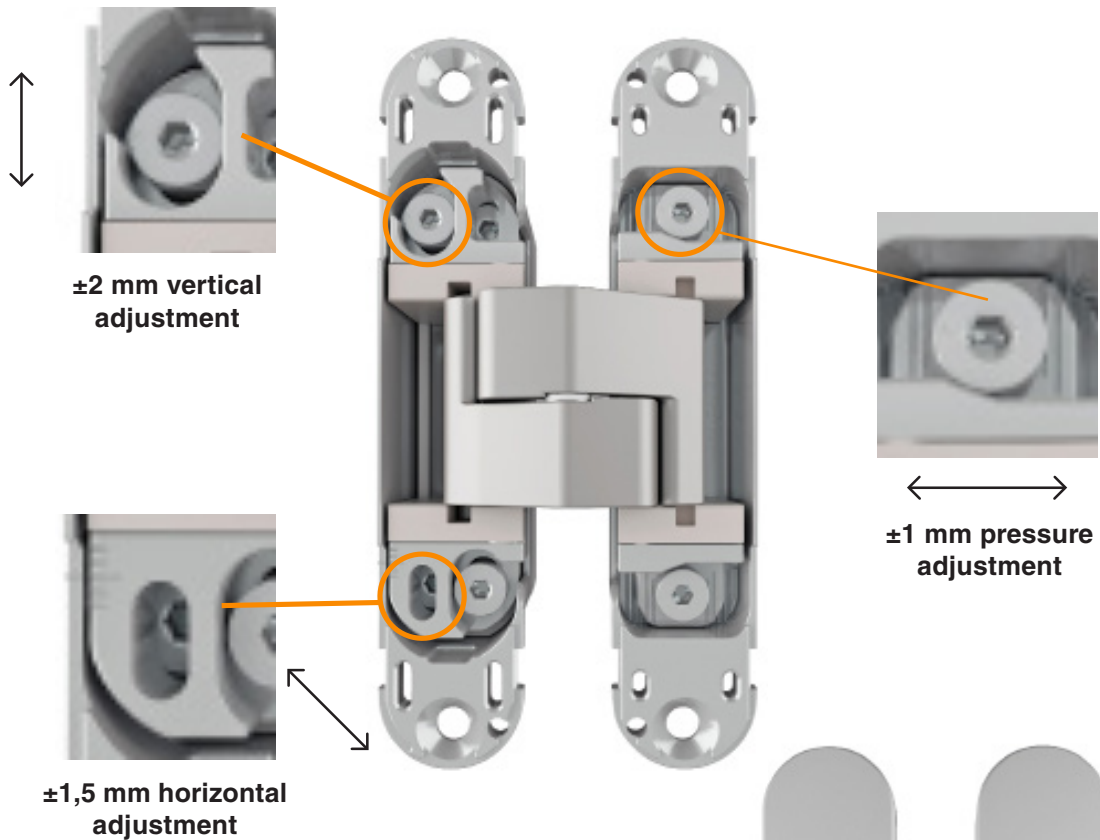
for wood
for aluminium



DOOR HEIGHT - NUMBER OF HINGES

2030 - 2400 mm = 3 hinges
2401 - 2700 mm = 4 hinges
2701 - 3000 mm = 5 hinges

3D adjustable hinges. Adjustable on 3 completely independent axes (vertical, horizontal and pressure) with a single hexagonal wrench, allowing millimetric adjustment of the door.



SMOOTH ALUMINIUM TRIM

The smooth aluminium trim conceals the adjustment screws and maintains the door's aesthetics even when the door is open.



Finishes

- Silver
- White
- Black



Honeycomb doors (optional)





Door thickness of 45mm. In the pull opening variant, the thickness can reach up to 60mm.



Frame in glued/finger-jointed timber in virtually knotfree Scots pine and with double stiles.



Honeycomb cardboard core between high density MDF skins at least 5mm thick.



High adhesion glue.



For heights above 220cm and 95cm in width, enclosed in a rectangular aluminium frame (35x20) to ensure stability.



The doors are primed for better paint adhesion.



- 1. The door is custom machined to size.**
- 2. In case a door is not requested,** Saheco provides the technical details of the machining required for the door.

B Door height | I Door width

STANDARD MEASUREMENTS DOOR THICKNESS = 45mm (up to 60mm in the 'pull' variant)

DOORWAY MEASUREMENTS	
(B)	(I)
HEIGHT 2035 - 2405	625
	725
	825
	925
	1025

DOORWAY MEASUREMENTS	
(B)	(I)
HEIGHT 2406 - 2705	625
	725
	825
	925
	1025

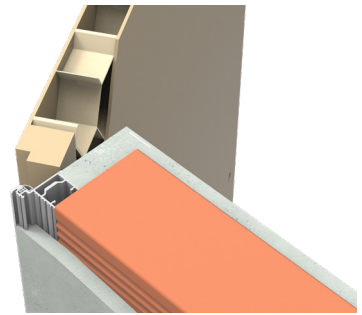
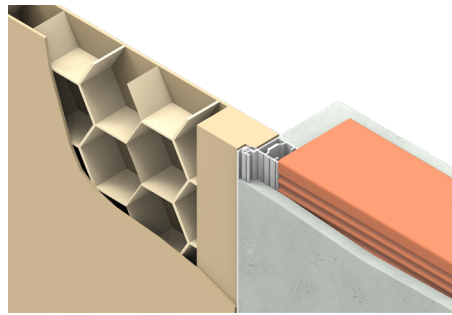
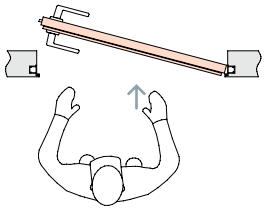
DOORWAY MEASUREMENTS	
(B)	(I)
HEIGHT 2706 - 3005	625
	725
	825
	925
	1025



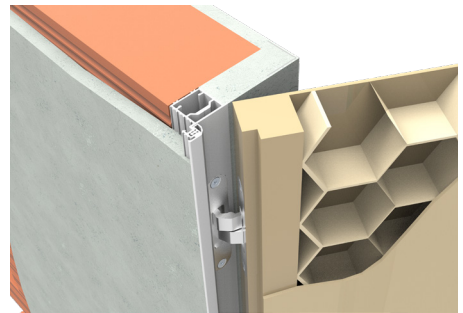
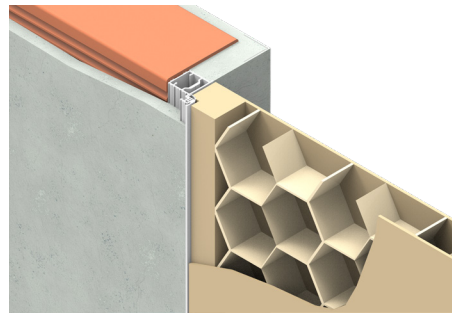
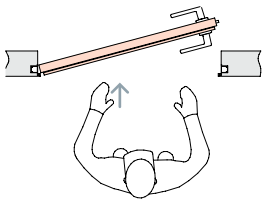
Opening variants

Masonry

PUSH OPENING

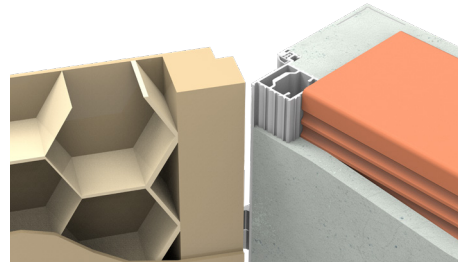
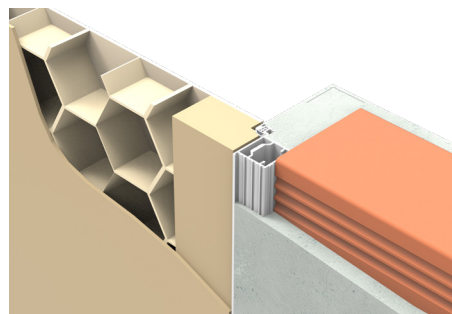
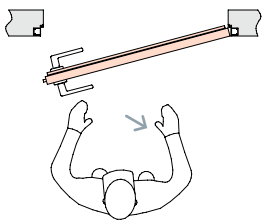


RIGHT

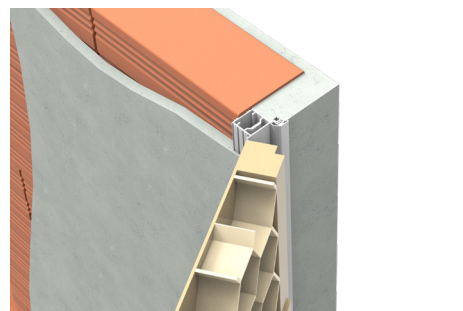
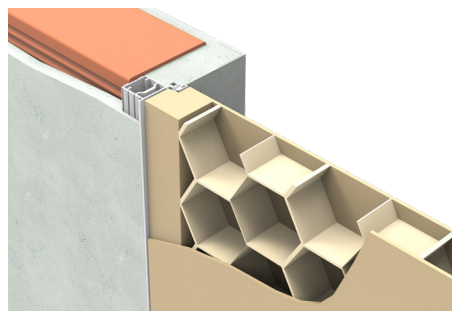
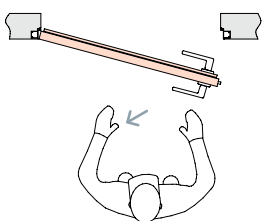


LEFT

PULL OPENING



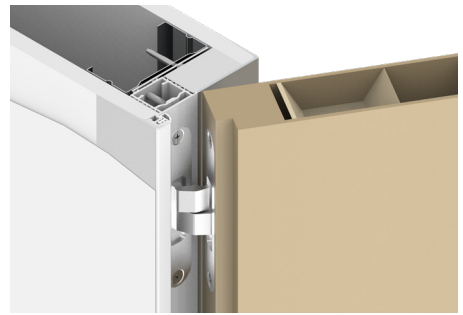
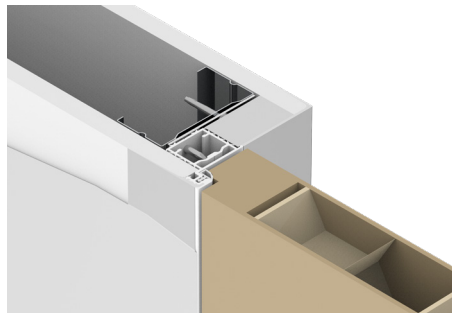
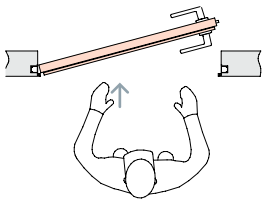
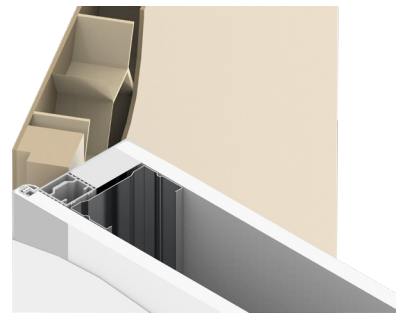
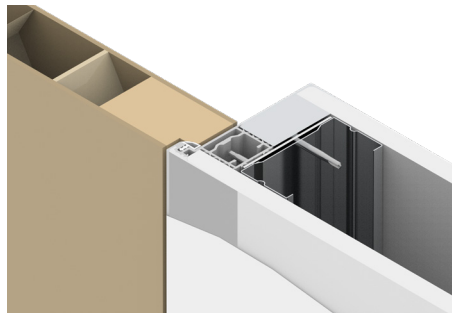
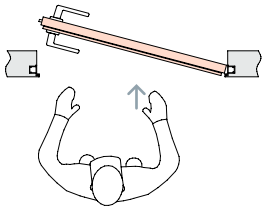
RIGHT



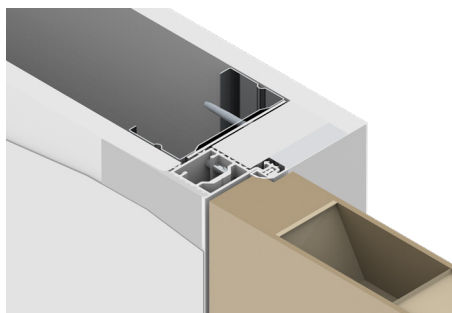
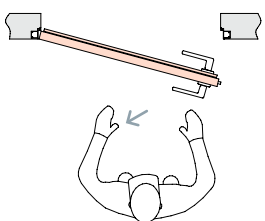
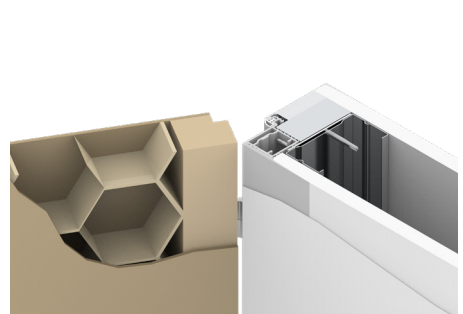
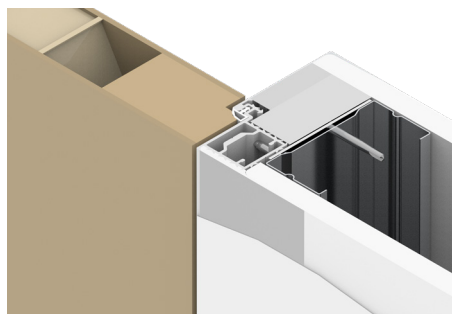
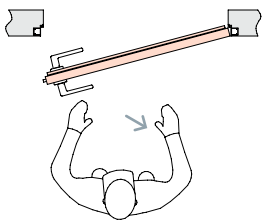
LEFT

Plasterboard

PUSH OPENING



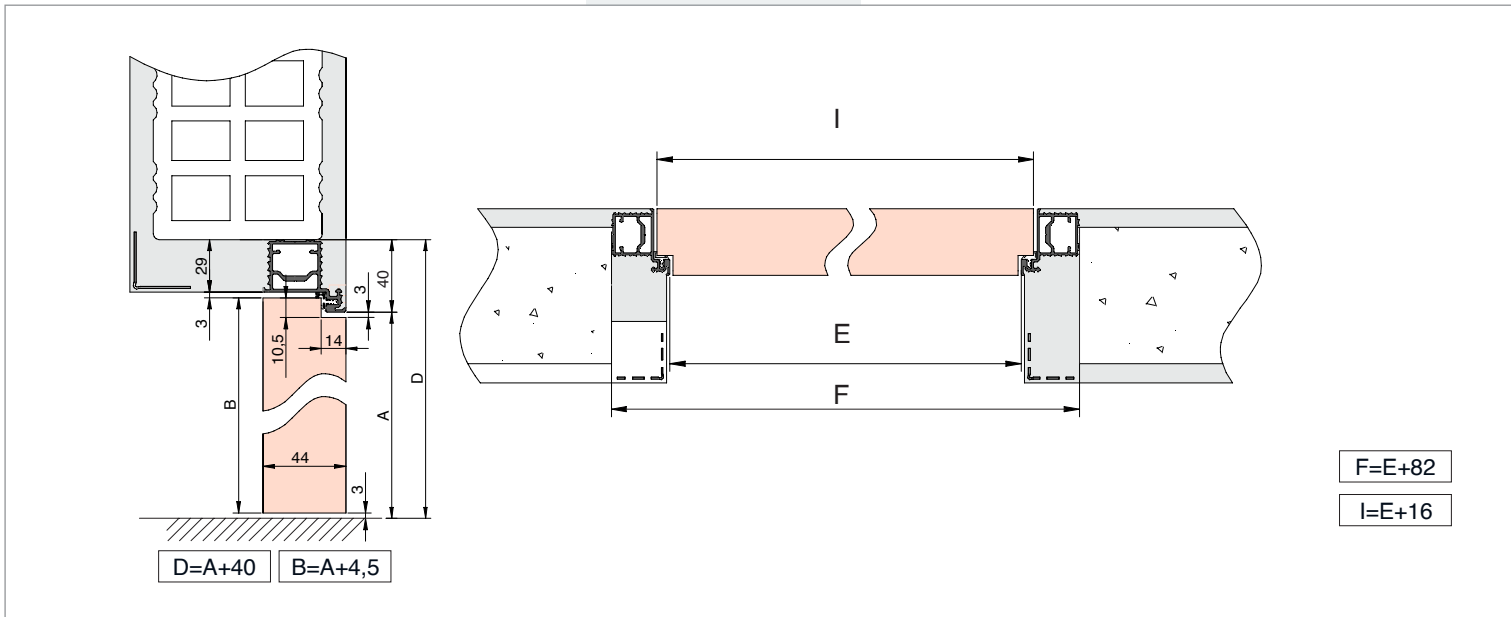
PULL OPENING



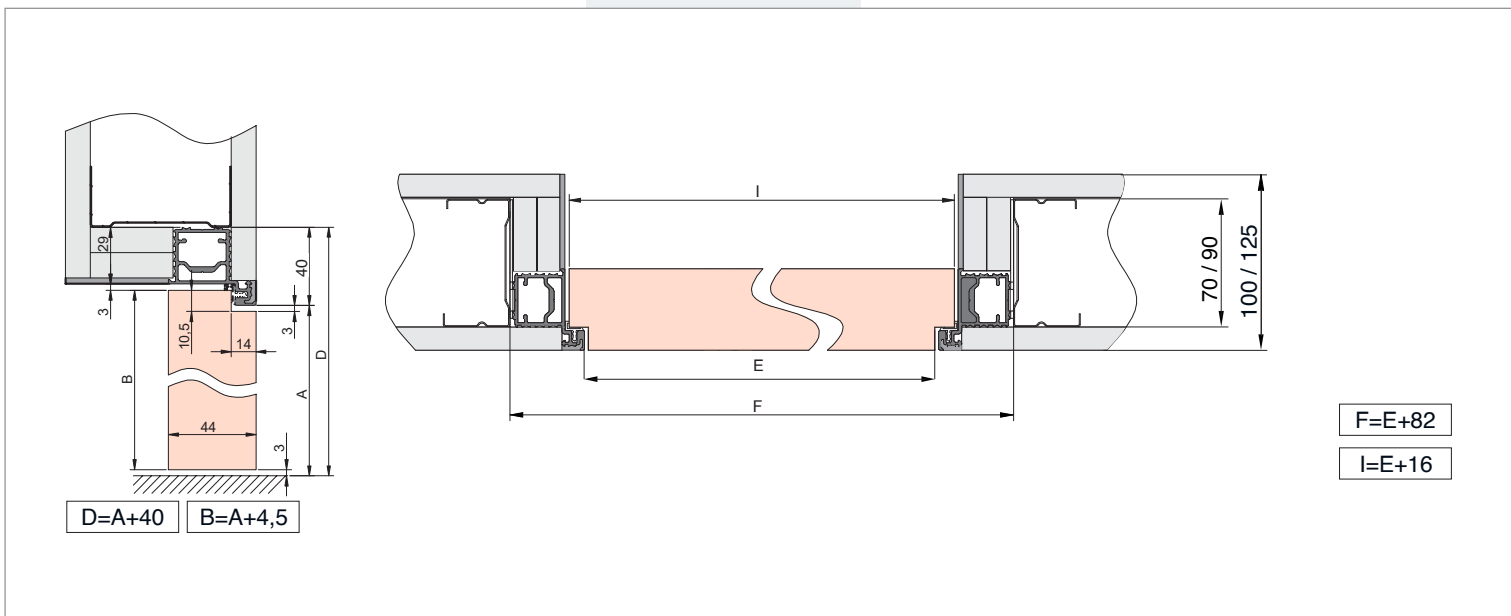
Sections

With lintel

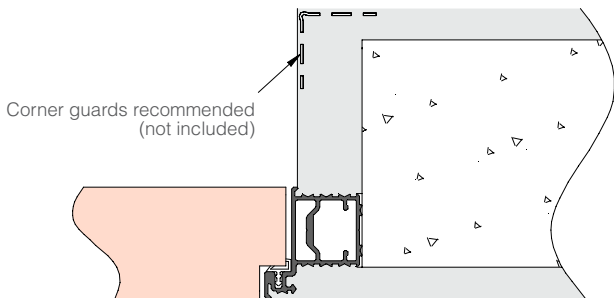
MASONRY



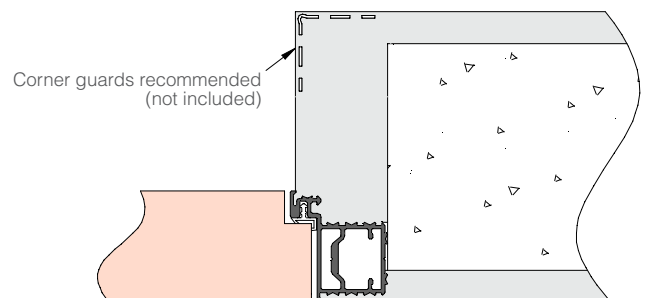
PLASTERBOARD



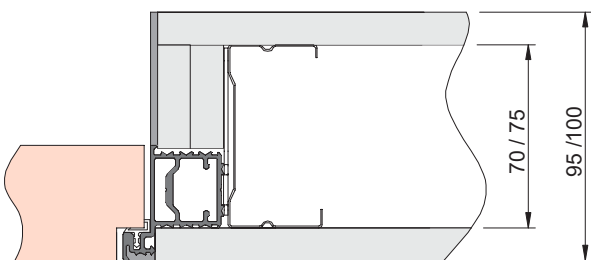
PUSH OPENING



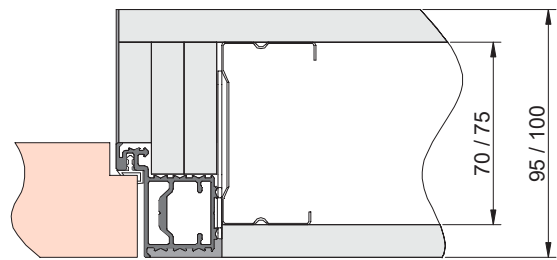
PULL OPENING



PUSH OPENING



PULL OPENING



A Passage size height | **E** Passage size width | **B** Door height | **I** Door width



Measures

Pre-Mounted kit with lintel

A Passage size height | E Passage size width | B Door height | I Door width

STANDARD MEASUREMENTS | **DOOR THICKNESS = 45mm** (up to 60mm in the 'pull' variant)

*The finishes correspond to hinge and latch.

			MASONRY / PLASTERBOARD			
SILVER FINISH*	WHITE FINISH*	BLACK FINISH*	PASSAGE SIZE		DOOR SIZE	
CODE			(A)	(E)	(B)	(I)
110240062511	110240062512	110240062513	2030 - 2400	609	2035 - 2405	625
110240072511	110240072512	110240072513		709		725
110240082511	110240082512	110240082513		809		825
110240092511	110240092512	110240092513		909		925
1102400102511	1102400102512	1102400102513		1009		1025

Number of hinges = 3 units

			MASONRY / PLASTERBOARD			
SILVER FINISH*	WHITE FINISH*	BLACK FINISH*	PASSAGE SIZE		DOOR SIZE	
CODE			(A)	(E)	(B)	(I)
110270062511	110270062512	110270062513	2401 - 2700	609	2406 - 2705	625
110270072511	110270072512	110270072513		709		725
110270082511	110270082512	110270082513		809		825
110270092511	110270092512	110270092513		909		925
1102700102511	1102700102512	1102700102513		1009		1025

Number of hinges = 4 units

			MASONRY / PLASTERBOARD			
SILVER FINISH*	WHITE FINISH*	BLACK FINISH*	PASSAGE SIZE		DOOR SIZE	
CODE			(A)	(E)	(B)	(I)
110300062511	110300062512	110300062513	2701 - 3000	609	2706 - 3005	625
110300072511	110300072512	110300072513		709		725
110300082511	110300082512	110300082513		809		825
110300092511	110300092512	110300092513		909		925
1103000102511	1103000102512	1103000102513		1009		1025

Number of hinges = 5 units

**EXCLUSIVE MEASURES
UPON DEMAND**



Kit format with intel

A Passage size height | E Passage size width | B Door height | I Door width

STANDARD MEASUREMENTS DOOR THICKNESS = 45mm (up to 60mm in the 'pull' variant)

*The finishes correspond to hinge and latch.

			MASONRY / PLASTERBOARD			
SILVER FINISH*	WHITE FINISH*	BLACK FINISH*	PASSAGE SIZE		DOOR SIZE	
CODE			(A)	(E)	(B)	(I)
210240062511	210240062512	210240062513	2030 - 2400	609	2035 - 2405	625
210240072511	210240072512	210240072513		709		725
210240082511	210240082512	210240082513		809		825
210240092511	210240092512	210240092513		909		925
2102400102511	2102400102512	2102400102513		1009		1025

Number of hinges = 3 units

			MASONRY / PLASTERBOARD			
SILVER FINISH*	WHITE FINISH*	BLACK FINISH*	PASSAGE SIZE		DOOR SIZE	
CODE			(A)	(E)	(B)	(I)
210270062511	210270062512	210270062513	2401 - 2700	609	2406 - 2705	625
210270072511	210270072512	210270072513		709		725
210270082511	210270082512	210270082513		809		825
210270092511	210270092512	210270092513		909		925
2102700102511	2102700102512	2102700102513		1009		1025

Number of hinges = 4 units

			MASONRY / PLASTERBOARD			
SILVER FINISH*	WHITE FINISH*	BLACK FINISH*	PASSAGE SIZE		DOOR SIZE	
CODE			(A)	(E)	(B)	(I)
210300062511	210300062512	210300062513	2701 - 3000	609	2706 - 3005	625
210300072511	210300072512	210300072513		709		725
210300082511	210300082512	210300082513		809		825
210300092511	210300092512	210300092513		909		925
2103000102511	2103000102512	2103000102513		1009		1025

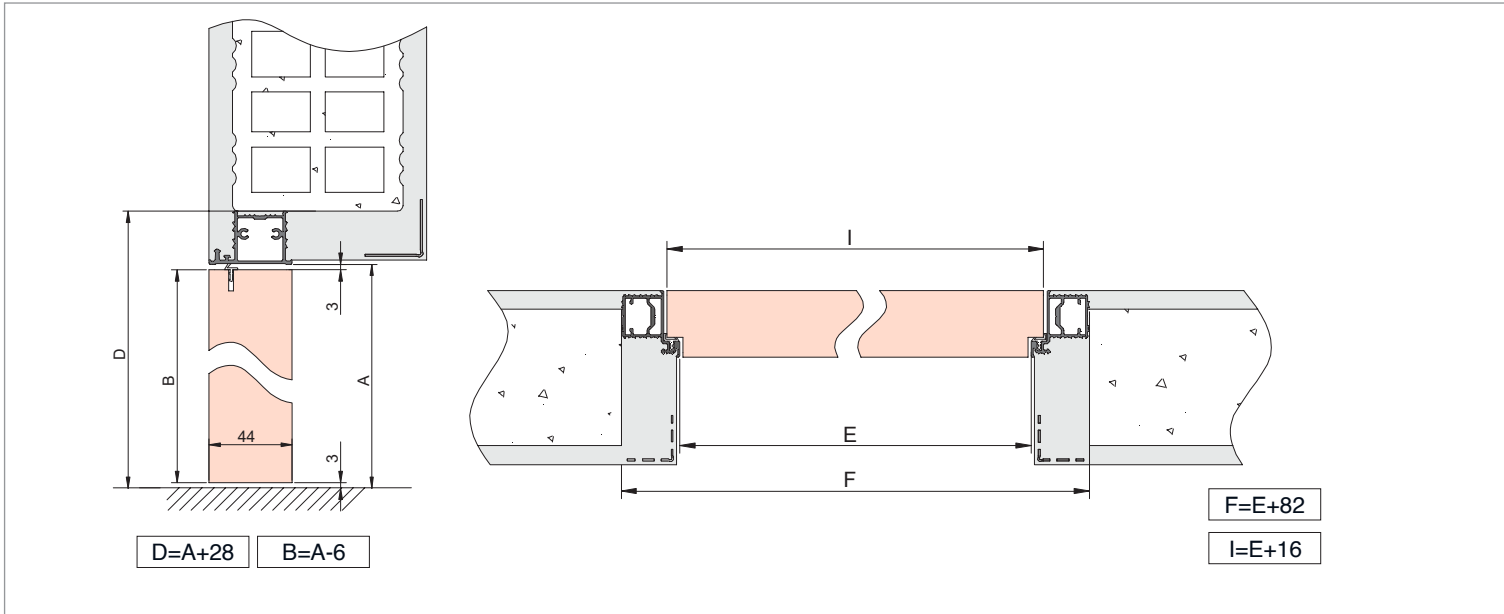
Number of hinges = 5 units

EXCLUSIVE MEASURES
UPON DEMAND

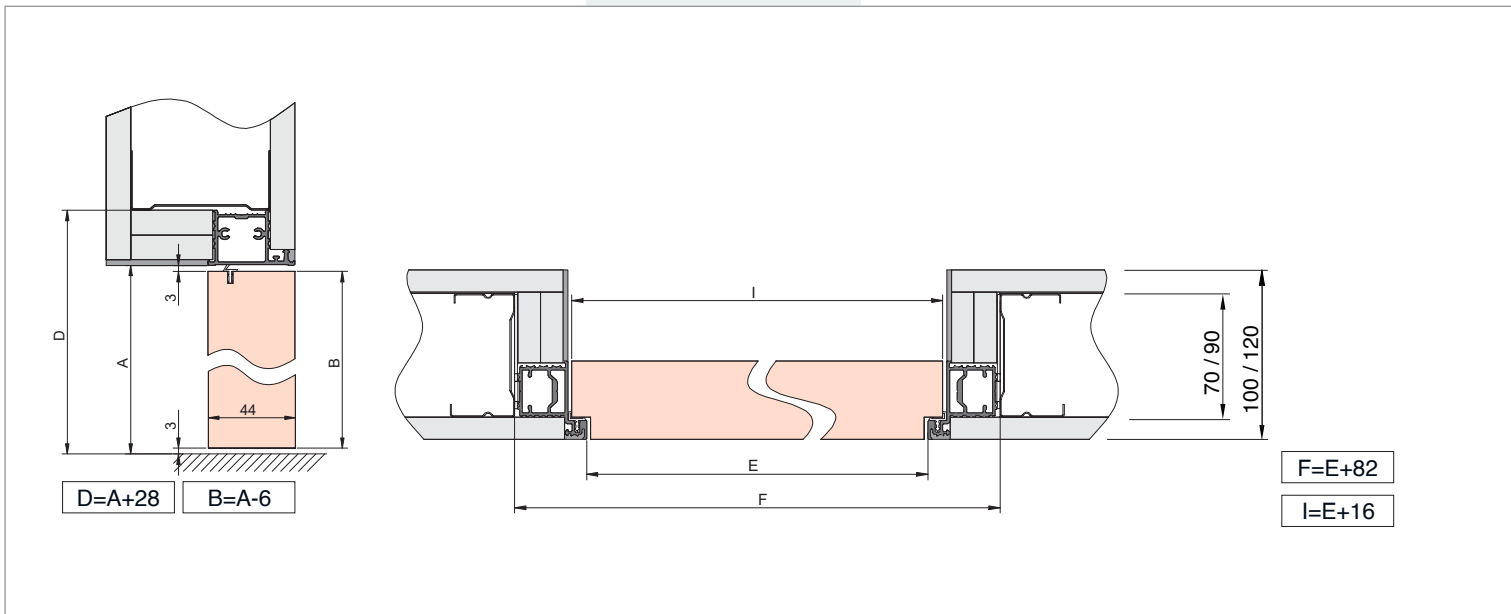
Sections

Without lintel

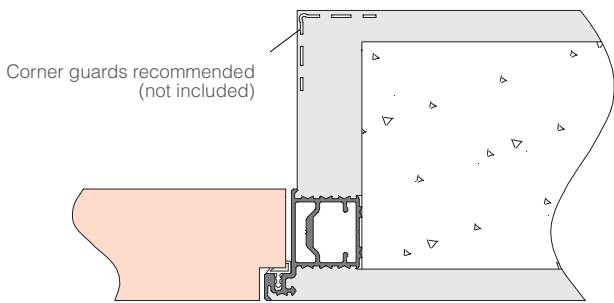
MASONRY



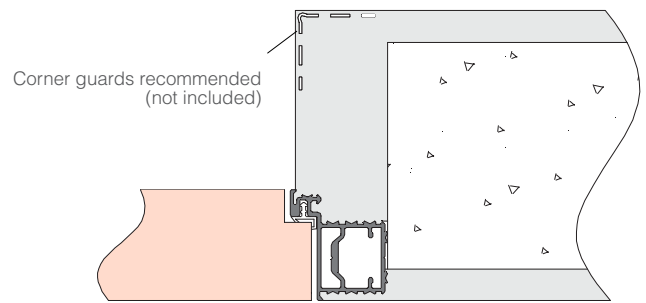
PLASTERBOARD



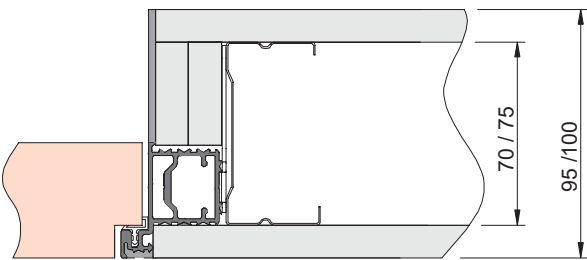
PUSH OPENING



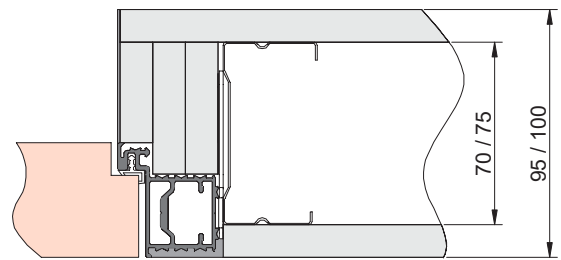
PULL OPENING



PUSH OPENING



PULL OPENING



A Passage size height | **E** Passage size width | **B** Door height | **I** Door width



Measures

Pre-Mounted kit without lintel



A Passage size height | **E** Passage size width | **B** Door height | **I** Door width

STANDARD MEASUREMENTS DOOR THICKNESS = 45mm (up to 60mm in the 'pull' variant)

*The finishes correspond to hinge and latch.

			MASONRY / PLASTERBOARD			
SILVER FINISH*	WHITE FINISH*	BLACK FINISH*	PASSAGE SIZE		DOOR SIZE	
CODE			(A)	(E)	(B)	(I)
110210062521	110210062522	110210062523	2100	609	2094	625
110210072521	110210072522	110210072523		709		725
110210082521	110210082522	110210082523		809		825
110210092521	110210092522	110210092523		909		925
1102100102521	1102100102522	1102100102523		1009		1025

Number of hinges = 3 units





Kit format without intel

A Passage size height | E Passage size width | B Door height | I Door width

STANDARD MEASUREMENTS DOOR THICKNESS = 45mm (up to 60mm in the 'pull' variant)

*The finishes correspond to hinge and latch.

			MASONRY / PLASTERBOARD			
SILVER FINISH*	WHITE FINISH*	BLACK FINISH*	PASSAGE SIZE		DOOR SIZE	
CODE			(A)	(E)	(B)	(I)
210210062521	210210062522	210210062523	2100	609	2094	625
210210072521	210210072522	210210072523		709		725
210210082521	210210082522	210210082523		809		825
210210092521	210210092522	210210092523		909		925
2102100102521	2102100102522	2102100102523		1009		1025

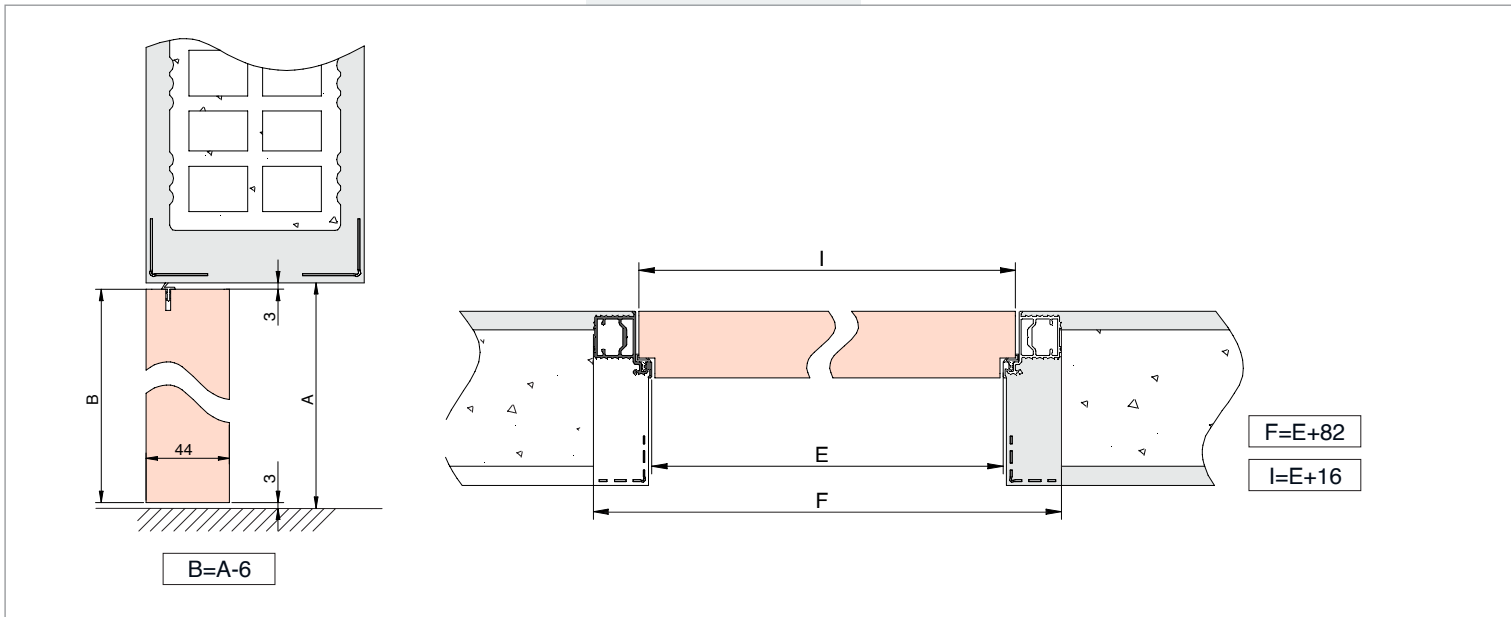
Number of hinges = 3 units

**EXCLUSIVE MEASURES
UPON DEMAND**

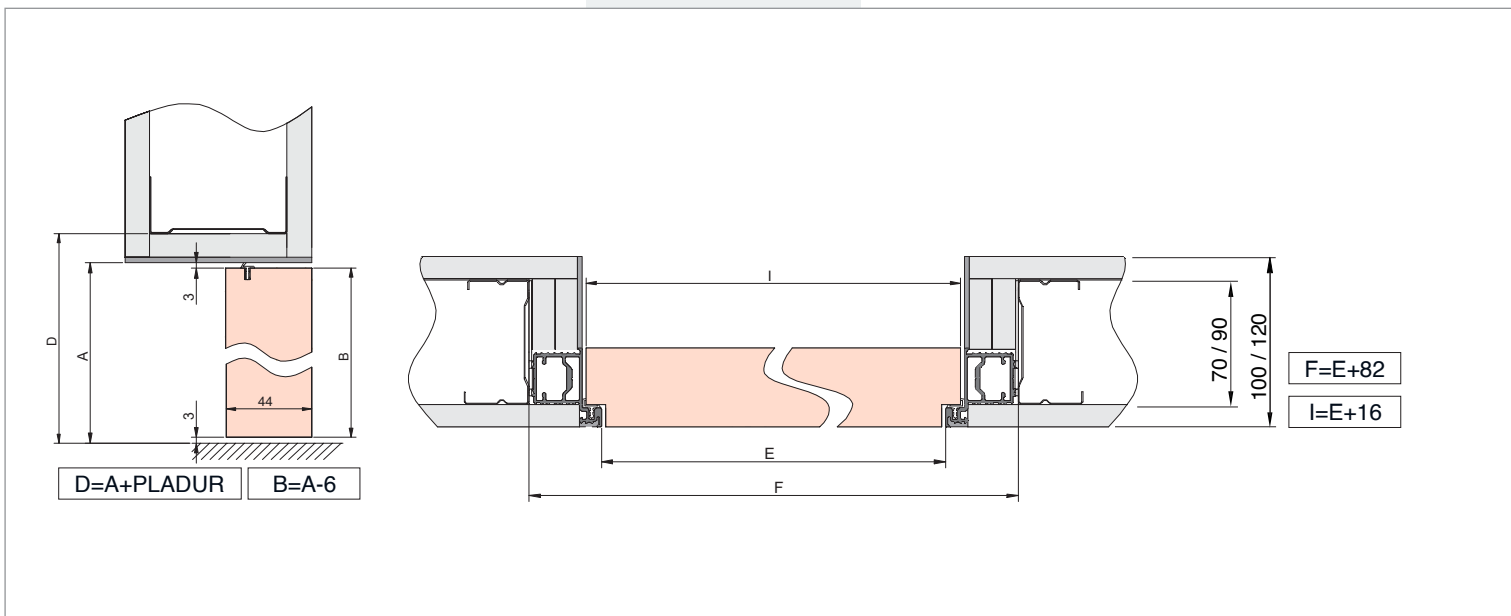
Sections

No crossbeam (up to ceiling)

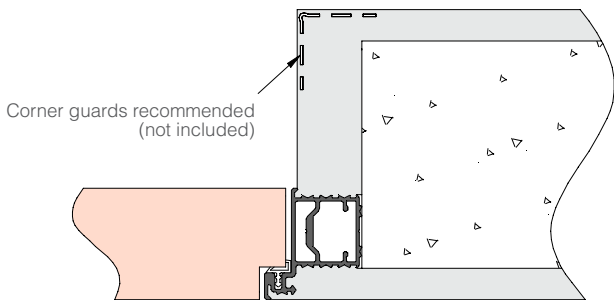
MASONRY



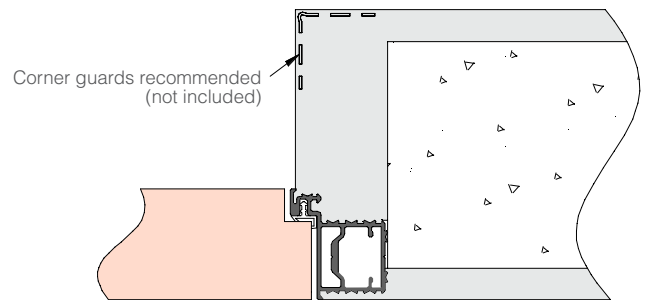
PLASTERBOARD



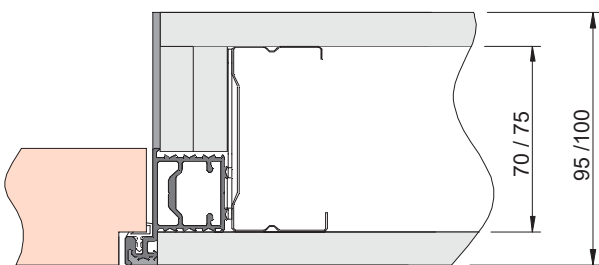
PUSH OPENING



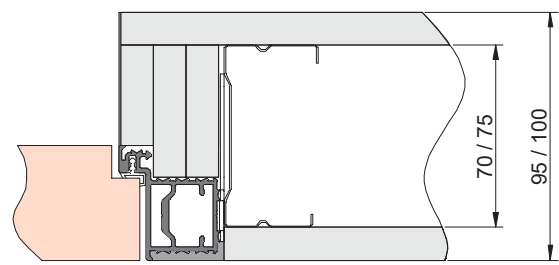
PULL OPENING



PUSH OPENING



PULL OPENING



A Passage size height | **E** Passage size width | **B** Door height | **I** Door width



Measures

Without crossbeam (up to ceiling)



A Passage size height | E Passage size width | B Door height | I Door width

STANDARD MEASUREMENTS | DOOR THICKNESS = 45mm (up to 60mm in the 'pull' variant)

*The finishes correspond to hinge and latch.

			MASONRY / PLASTERBOARD			
SILVER FINISH*	WHITE FINISH*	BLACK FINISH*	LUZ DE PASO		DOOR SIZE	
CODE			(A)	(E)	(B)	(I)
110270062531	110270062532	110270062533	2401 - 2700	609	2395 - 2694	625
110270072531	110270072532	110270072533		709		725
110270082531	110270082532	110270082533		809		825
110270092531	110270092532	110270092533		909		925
1102700102531	1102700102532	1102700102533		1009		1025

Number of hinges = 4 units

			MASONRY / PLASTERBOARD			
SILVER FINISH*	WHITE FINISH*	BLACK FINISH*	PASSAGE SIZE		DOOR SIZE	
CODE			(A)	(E)	(B)	(I)
110300062531	110300062532	110300062533	2701 - 3000	609	2695 - 2994	625
110300072531	110300072532	110300072533		709		725
110300082531	110300082532	110300082533		809		825
110300092531	110300092532	110300092533		909		925
1103000102531	1103000102532	1103000102533		1009		1025

Number of hinges = 5 units

**EXCLUSIVE MEASURES
UPON DEMAND**



Kit format no crossbeam (up to ceiling)

A Passage size height | E Passage size width | B Door height | I Door width

STANDARD MEASUREMENTS DOOR THICKNESS = 45mm (up to 60mm in the 'pull' variant)

*The finishes correspond to hinge and latch.

			MASONRY / PLASTERBOARD			
SILVER FINISH*	WHITE FINISH*	BLACK FINISH*	PASSAGE SIZE		DOOR SIZE	
CODE			(A)	(E)	(B)	(I)
210270062531	210270062532	210270062533	2401 - 2700	609	2395 - 2694	625
210270072531	210270072532	210270072533		709		725
210270082531	210270082532	210270082533		809		825
210270092531	210270092532	210270092533		909		925
2102700102531	2102700102532	2102700102533		1009		1025

Number of hinges = 4 units

			MASONRY / PLASTERBOARD			
SILVER FINISH*	WHITE FINISH*	BLACK FINISH*	PASSAGE SIZE		DOOR SIZE	
CODE			(A)	(E)	(B)	(I)
210300062531	210300062532	210300062533	2701 - 3000	609	2695 - 2994	625
210300072531	210300072532	210300072533		709		725
210300082531	210300082532	210300082533		809		825
210300092531	210300092532	210300092533		909		925
2103000102531	2103000102532	2103000102533		1009		1025

Number of hinges = 5 units

EXCLUSIVE MEASURES
UPON DEMAND

HOW DO I ORDER A BK-10?

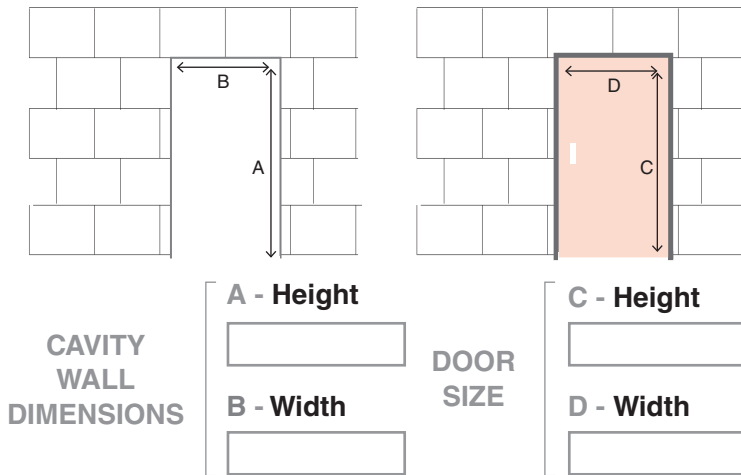
1 SALES FORMAT

- Assembled format (ready to install)
- Disassembled **Kit format**

2 TYPE OF INSTALLATION

- With lintel Without lintel
- Without crossbeam

3 MEASUREMENTS



4 PRE-LACQUERED DOOR*

- With a door Without a door

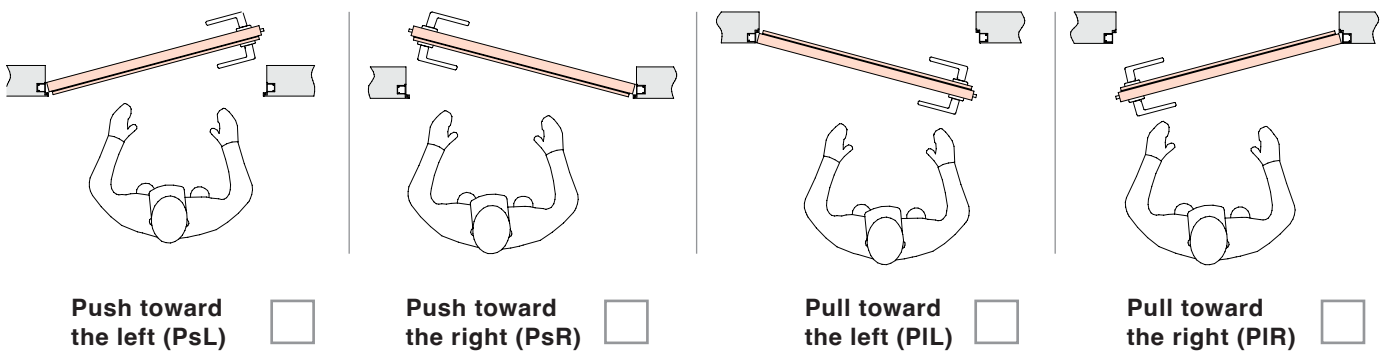
5 FINISH

- Silver Black
- White

6 ACCESSORIES

- With a lock
- A - Magnetic latch with deadbolt
- B - Magnetic latch for cylinder lock

7 TYPE OF OPENING



1. The door is custom machined to size. 2. In case a door is not requested, Saheco provides the technical details of the machining required for the door.

¿HOW DO I ORDER A BK-10?

MEASUREMENTS

WITH LINTEL - CONSULT PAGE 16-17

WITHOUT LINTEL - CONSULT PAGE 20-21

WITHOUT CROSSBEAM (up to ceiling) - CONSULT PAGE 24-25

ACCESSORIES

		Finish	Code.
	3D adjustable concealed hinge (included)	<input checked="" type="radio"/> silver <input type="radio"/> white <input checked="" type="radio"/> black	0 501 10 0 501 13 0 501 15
	Magnetic door catch (included)	<input checked="" type="radio"/> silver <input type="radio"/> white <input checked="" type="radio"/> black	00 1000 90 00 1000 91 00 1000 93
	Honeycomb door (optional)	<input type="radio"/> white primed	Request according to measures on page 11
	Magnetic latch with deadbolt (optional) Hub = 8mm	<input checked="" type="radio"/> silver <input type="radio"/> white <input checked="" type="radio"/> black	00 1000 82 00 1000 83 00 1000 87
	Magnetic latch for cylinder lock (optional) Hub = 8mm / Keylock = 6mm	<input checked="" type="radio"/> silver <input type="radio"/> white <input checked="" type="radio"/> black	00 1000 85 00 1000 86 00 1000 88

Project: Light Interior - Studio: ZROBIMarchitects
Design: Roman Kot, Alexey Korablyov





Export department
Tel. +57 301 553 0842
pedidos@puertastecnicas.com
www.puertastecnicas.com